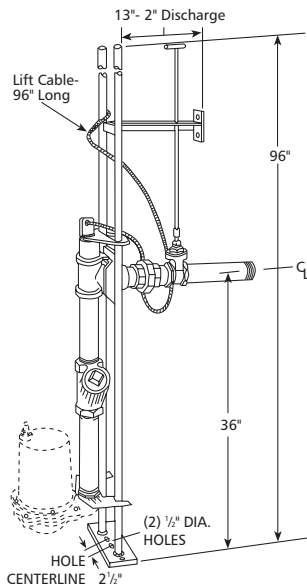


A10-20

Stainless Steel Slide Rail Systems

SIMPLEX



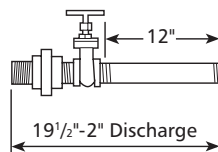
Simplex system consists of:

- 1-Slide rail
- 1-Simplex discharge piping

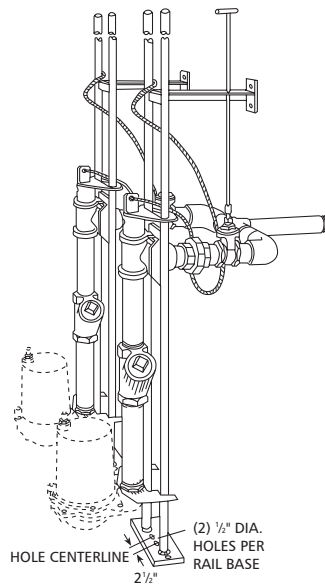
Simplex Discharge Piping includes:

- Union
- Pipe nipples
- Gate valve

H20S, 2"



DUPLEX



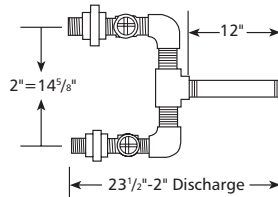
Duplex system consists of:

- 2-Slide rails
- 1-Duplex discharge piping

Duplex Discharge Piping includes:

- Pipe nipples • Unions
- Gate valves • Pipe tee
- Elbows

H20D, 2"



2" discharge slide rail systems provide easy means of removing pump from wet-well by utilizing a quick disconnect and guide assembly. Eliminates need to enter wet-well.

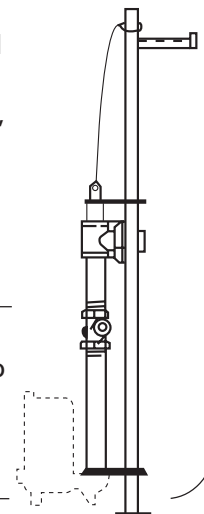
Corrosion resistant design includes: stainless steel rails, cross brace, quick disconnect plate, base plate, lift cable and bronze quick disconnect.

Adaptable to all 2" NPT vertical discharge effluent and sewage pumps.

Designed for use with horizontal discharge systems.

Basic Slide Rail Assembly Includes:
2 Pc. 96" long guide rails (SS), wall bracket (SS), top pump bracket, quick disconnect adapter (bronze), bottom pump bracket, base plate (SS), lifting cable (SS), check valve, galvanized vertical pipe nipples and tee handle(s). Guide rail extensions available.

NOTE: Standard overall length of piping is 96" . . . can be cut down to 48" minimum length. If rail length longer than 96" is required. Order rail extensions from price book.



A10-20 (2")

ORDERING INFORMATION

Simplex System				For Use With Pump Model
Size	Qty.	Order No.	Description	
2"	1	A10-20	Slide Rail	RW, RE
	1	H20S	Disch. Piping	

Duplex System				For Use With Pump Model
Size	Qty.	Order No.	Description	
2"	2	A10-20	Slide Rail	RW, RE
	1	H20D	Disch. Piping	

See Price List for Rail Extensions.

Red Jacket Water Products is a licensed trademark.

The ITT Engineered Blocks symbol is a registered trademark and tradename of ITT Industries.

Visit us at: www.redjacketwaterproducts.com

BRJDIS

Red Jacket Water Products reserves the right to make design improvements and pricing modifications as necessary and without notice.

PRINTED IN U.S.A.

© 2001 Red Jacket Water Products



ITT Industries