

WASTE WATER

Polyethylene Basins with Covers



Suitable for residential and light commercial sump or simplex sewage applications.

Stacking ribs and tapered profile provide greater efficiency in shipping and storage.

Made of non-corrosive, impact resistant, virgin polyethylene.

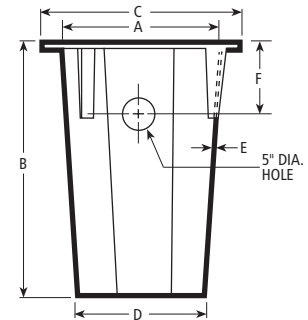
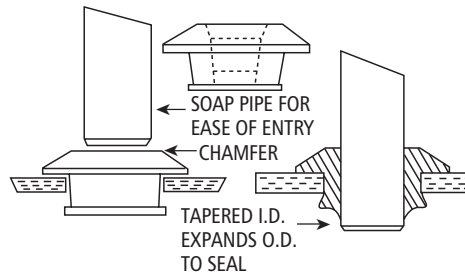
Basins are complete with a steel or poly cover, sealing tape, 2 inch discharge/vent pipe grommets, 4 inch inlet pipe grommet and 2 inch cord seal.

All basins listed are provided with inlet hole drilled.

Alcryn™ Thermoplastic can be used for basin inlet, discharge, and vent connections.

Part No.	Pipe Size	Hole Size
A82U	2"	3"
A84U	4"	5"

PIPE GROMMET DETAIL



SELECTION CHART

Red Jacket Part Number	Nominal Basin Size (inches)	Basin Style	Cover Style	Cover Dia. (inches)	Bolt Circle	No. Bolt Holes	Inside Dia. A	Height B	Outside Dia. C	Base Dia. D	Thickness E	Inlet F	Capacity		Weight (lbs.)
													Total Gal.	Gal. Per inch	
A7-121614P	12 x 16 x 14	Sump Box	Oval	10 x 14	NA	8	NA	14	NA	NA	3/16"	2	11	1	7
A7-1822P	18 x 22	Sump Crock	Slotted/Poly	20.5	NA	NA	18"	22"	22"	17"	1/8"	-	22	1	6
A7-1830P	18 x 30	Poly Basin	Simplex Steel	20.5	19.5	4	18"	30"	22"	17"	3/16"	10 1/2	30	1	10
A7-1830PIL	18 x 30	IAPMO	Simplex Steel	20.5	19.5	4	18"	30"	22"	17"	3/16"	10 1/2	30	1	10
A7-1830SP	18 x 30	Side Vent	Simplex Steel	20.5	19.5	4	18"	30"	22"	17"	3/16"	10 1/2	30	1	18
A7-1830SPP	18 x 30	Side Vent	Simplex Poly	20.5	19.5	4	18"	30"	22"	17"	3/16"	10 1/2	30	1	15
A7-2331SP	23 x 31	Side Vent	Simplex Poly	28	24.5	6	23"	30"	29"	22"	3/16"	10 1/2	50	1.6	24
A7-1822LPN	18 x 22	Poly Basin	Slotted Steel	20.5	19.5	4	18"	22"	22"	17"	3/16"	10 1/2	19	1	6
A7-1822RPS	18 x 22	Radon Gas Tight	Simplex Steel	20.5	19.5	4	18"	22"	22"	17"	3/16"	10 1/2	19	1	14
A7-1822SVP	18 x 22	Side Vent	Simplex Poly	20.5	19.5	4	18"	22"	22"	17"	3/16"	10 1/2	19	1	10
A7-1824LP	18 x 24	Corrugated Poly	Slotted Poly	20.5	19.5	4	18"	24"	22"	17"	3/16"	10 1/2	22	1	9
A7-2424PS	24 x 24	Poly Basin	Simplex Steel	28	26.5	6	24"	24"	29"	23"	3/16"	10 1/2	43	1.9	35
A7-2430PS	24 x 30	Poly Basin	Simplex Steel	28	26.5	6	24"	30"	29"	23"	3/16"	10 1/2	54	1.9	39
A7-2436P	24 x 36	Poly Basin	Simplex Steel	28	26.5	6	24"	36"	29"	23"	3/16"	10 1/2	65	1.9	26
A7-3036PS	30 x 36	Poly Basin	Simplex Steel	34	32.5	6	30"	36"	35"	29"	3/16"	10 1/2	103	3	45
A7-3036PD	30 x 36	Poly Basin	Duplex Steel	34	32.5	6	30"	36"	35"	29"	3/16"	10 1/2	103	3	50
A7-3636PS	36 x 36	Poly Basin	Simplex Steel	40	38.5	6	36"	36"	41"	35"	5/16"	10 1/2	154	4.3	55
A7-3636PD	36 x 36	Poly Basin	Duplex Steel	40	38.5	6	36"	36"	41"	35"	5/16"	10 1/2	154	4.3	60

Red Jacket Water Products is a licensed trademark.

The ITT Engineered Blocks symbol is a registered trademark and tradename of ITT Industries.

Visit us at: www.redjacketwaterproducts.com

BRJPOLY

Red Jacket Water Products reserves the right to make design improvements and pricing modifications as necessary and without notice.

PRINTED IN U.S.A.

© 2001 Red Jacket Water Products



ITT Industries