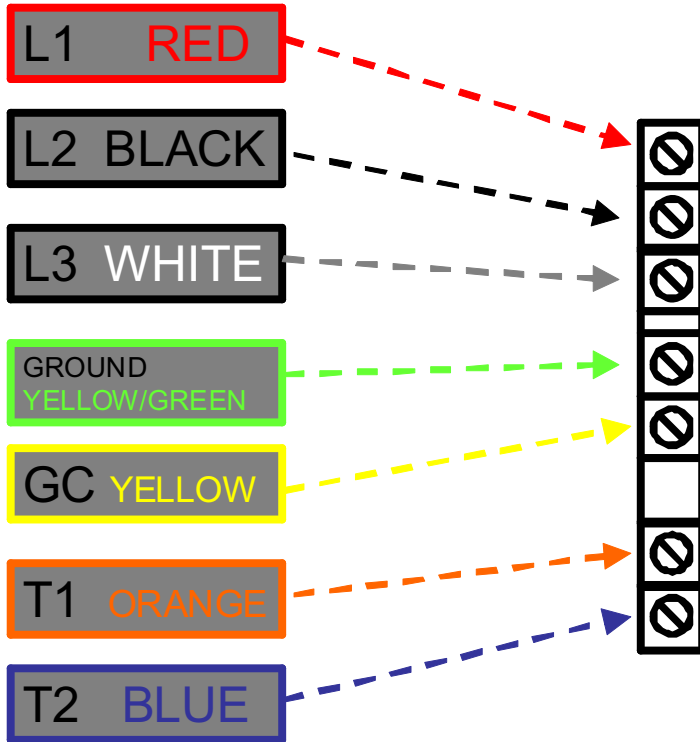
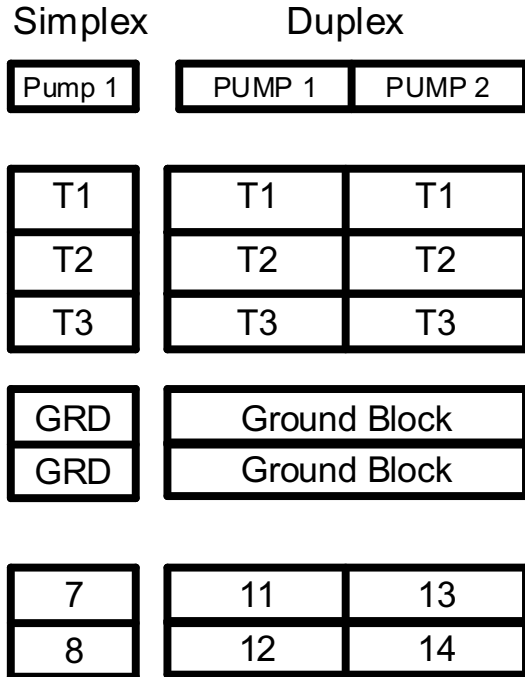


# MK and MV Wiring to MiniCAS

## Cable Leads

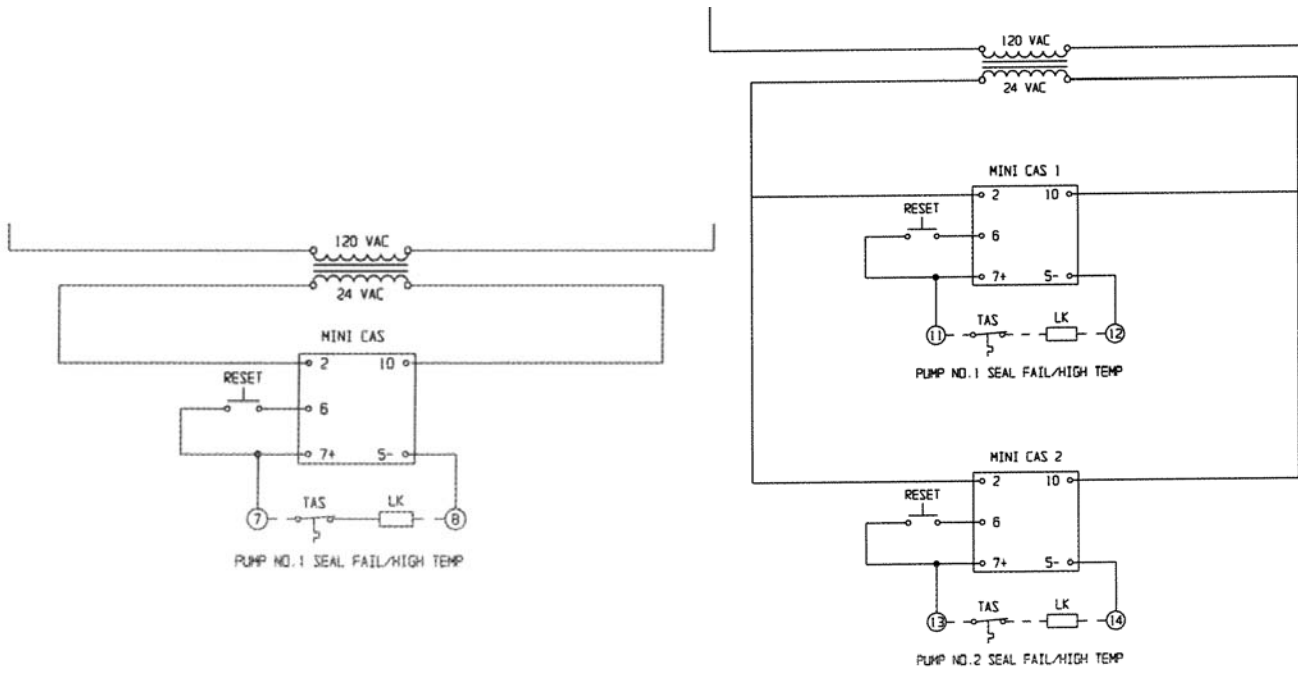


## Cable Connections



**S  
I  
M  
P  
L  
E  
X**

**D  
U  
P  
L  
E  
X**



### Status of Minicas:

- Over Temperature Condition: Green and Red lights off, pump stays off
- Seal Failure Condition: Green and Red lights on, pump stays on
- Normal Condition: Green light on, Red light off